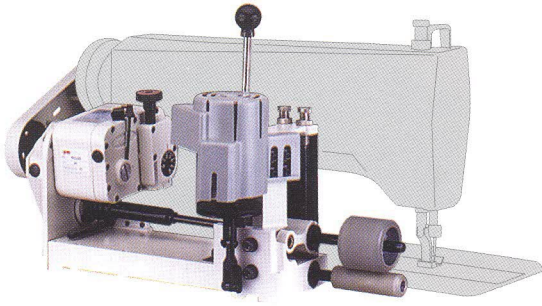
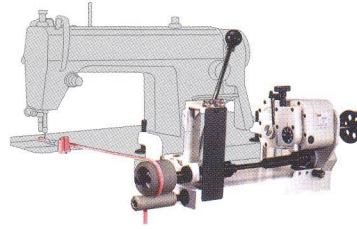


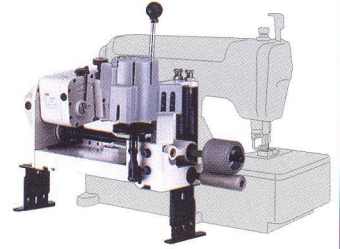
**PY** FOR SINGLE OR TWIN NEEDLE WITH UPPER AND LOWER ROLLERS



**PY-SP** FRONT PULLER (FOR SPAGHETTI SEWING)

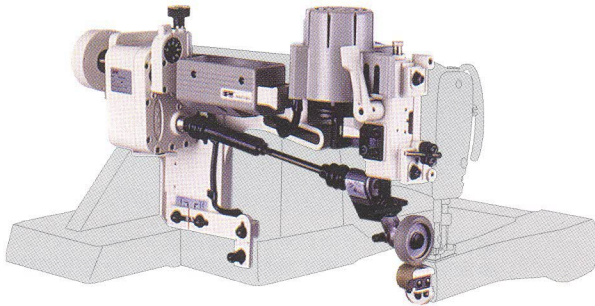


**PY-C** FOR COVERSTITCH

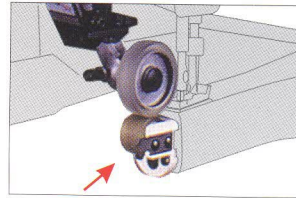


**PF** FOR FEED-OFF-THE-ARM (REGULAR)

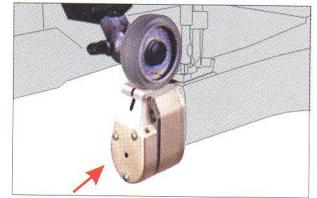
**PF-H** FOR FEED-OFF-THE-ARM (HEAVY DUTY) (TRANSMISSION P-1)



WITH LOWER ROLLER



**ECV** ELECTRONICS CHAIN CUTTER (OPTIONAL PARTS)



REMARK: THE ECV DEVICE CAN BE ORDERED INDIVIDUALLY

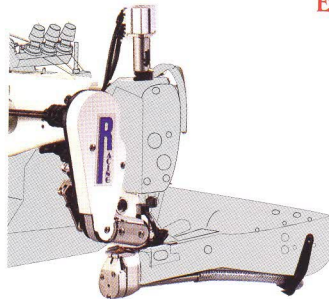
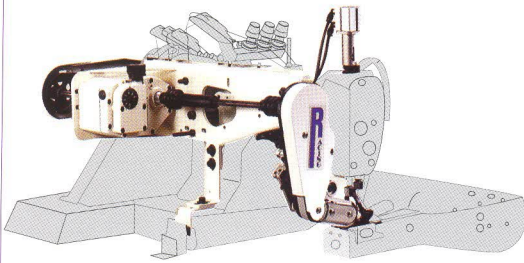
**PF-HB** 

BELT PULLER FOR HEAVY TO EXTREMELY HEAVY DUTY MATERIAL. (WITH EXCLUSIVE 1/4" GAUGE SET FOR HEAVY MATERIAL)

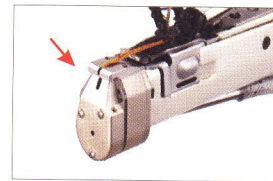
**PF-HB/ECV/AF**   
**PF-RB/ECV/AF** 

**PF-RB** 

BELT PULLER FOR REGULAR FABRIC.



**ECV** ELECTRONIC CHAIN CUTTER



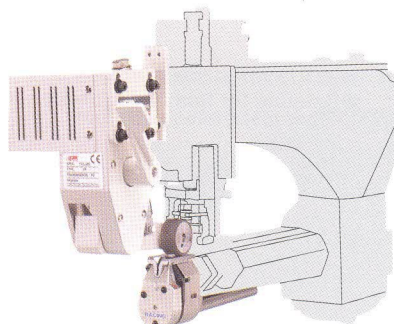
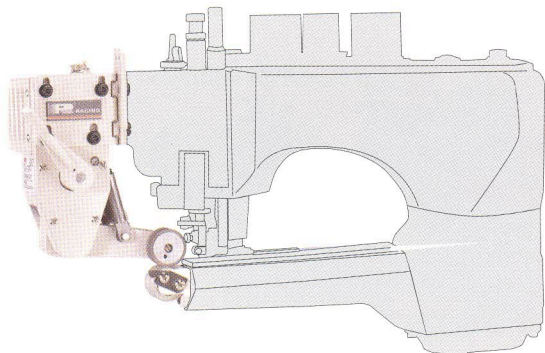
REMARK: THE ECV DEVICE CAN BE ORDERED INDIVIDUALLY.

**AF** PNEUMATIC PRESSER FOOT

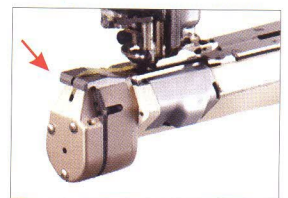


**PF-E** PF-E FOR FEED-OFF-THE-ARM FLATSEAMER (ELECTRONIC TYPE) 

**PF-E/EFV**   
 WITH ELECTRONIC CHAIN CUTTER



**EFV** ELECTRONIC CHAIN CUTTER



REMARK: THE EFV DEVICE CAN BE ORDERED INDIVIDUALLY